

IT81202

Evaluation Board

User Guide

CONTENTS

I. Introduction.....	4
■ Evaluation Board.....	4
II. Function Test.....	4-5
■ Connection Procedure.....	4-5

I. Introduction

* Evaluations Board:

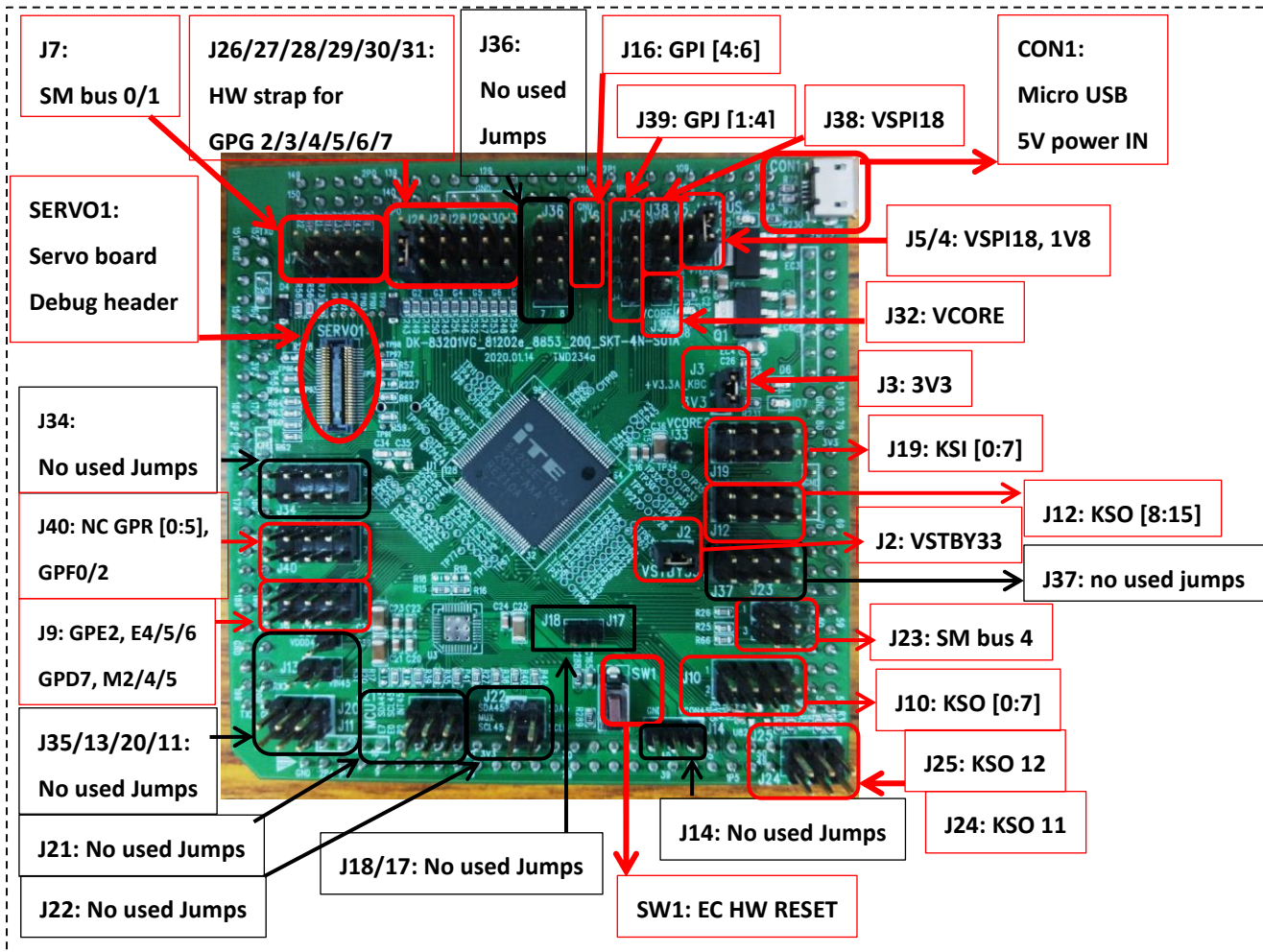


Figure1-1 Key Parts for IT81202 Evaluation Board

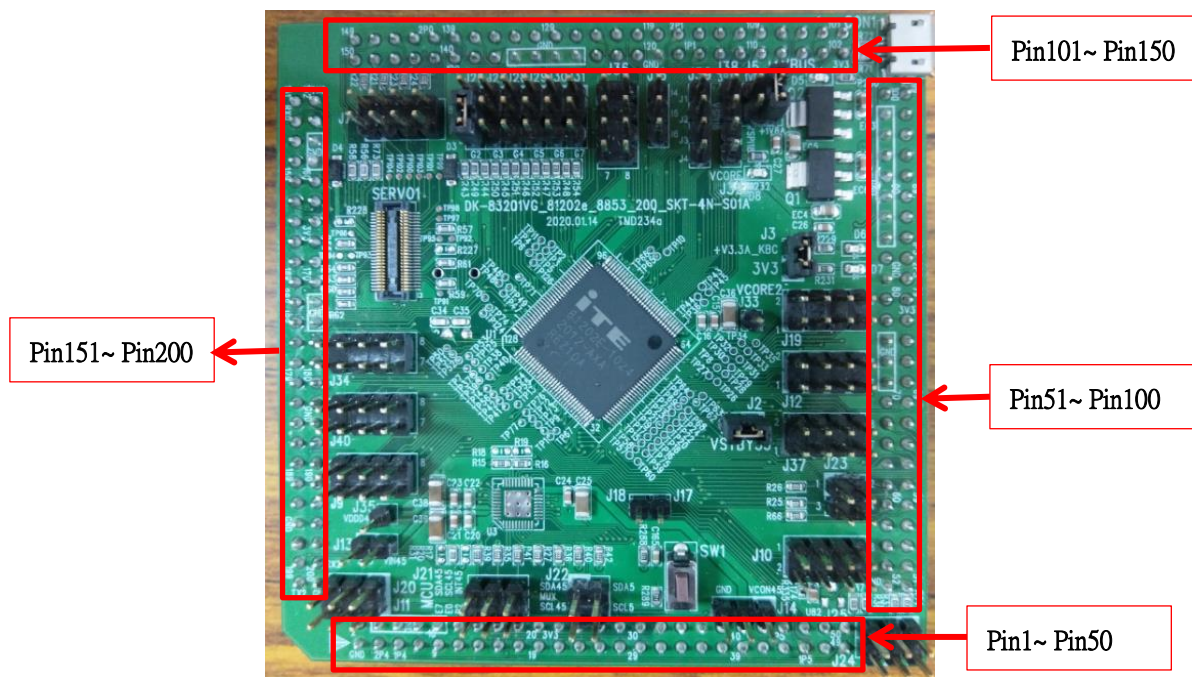


Figure1-2 Docking Pins 1~200 for Dock Evaluation Board

II. Function Test

Using servo board (micro servo) to connect EVB

A. Servo Board Flat Cable Connect Mode:

Connection example:

